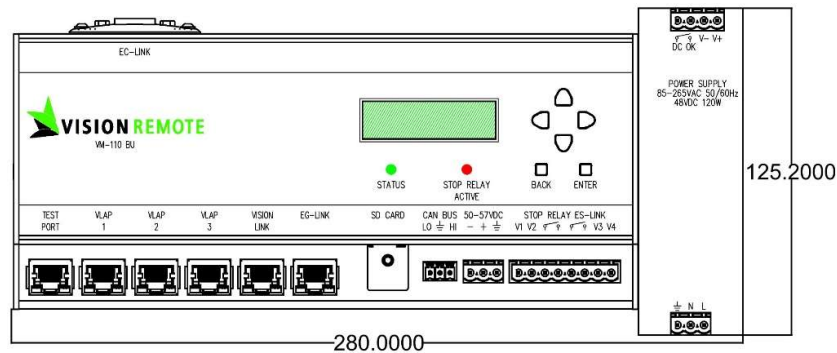




Technical specifications

Operating temperature	0 - +55 °C
Storage Temperature	-30 - +70 °C
Ingress Protection (IP)	IP2X
Physical Dimensions	280x125x114mm (11.24x4.93x4.49 inch) * Designed for DIN-rail assembly * including external power supply
Weight	1,1 kg (2,43 lbs)
Power supply	100-240VAC 50/60Hz - 120W
Machine Control	EG-Link UDP
Interfaces/Fieldbus	EC-Link Profibus DP, Profinet RT and Modbus TCP Others on request
ES Link - Stop Relay	2 x 4A/260VAC. Duplicated monitored stop relays
Safety Level Stop function	IEC 62745 GSS and EN ISO 13849 CAT. 3 PLD when remote armed
Display	2x16 characters LCD
Operator Interface	6 buttons (left, right, up down, back, enter)
Indicators	Status and Stop relay active LED`s
Test Port	1 x RJ45
VLAP Connection (VisionLink Access Point)	3 x RJ45 (PoE PSE 802.3at)
VisionLink cable port	1 x RJ45 (PoE PSE 802.3at)
EG Link	1 x RJ45 1000BASE-T
SD card slot	For file transfer and extended storage capacity
CAN BUS	For future use

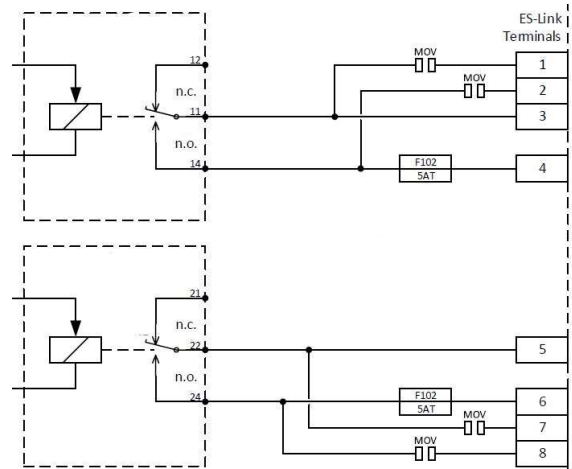


Power supply terminals

Pin	Signal	Description
1	GND	Connect to system GND and VX-100 BU GND
2	N	100-240VAC – Neutral wire
3	L	100-240VAC – Live wire

ES-link terminals

Pin	Signal	Description
1	V1	Stop relay 1 surge protector
2	V2	Stop relay 1 surge protector
3	Stop relay 1	Stop relay 1 (Min. load 50mW)
4	Stop relay 1	Stop relay 1 (Min. load 50mW)
5	Stop relay 2	Stop relay 2 (Min. load 50mW)
6	Stop relay 2	Stop relay 2 (Min. load 50mW)
7	V3	Stop relay 2 surge protector
8	V4	Stop relay 2 surge protector



Content of this datasheet is subject to change without notice.